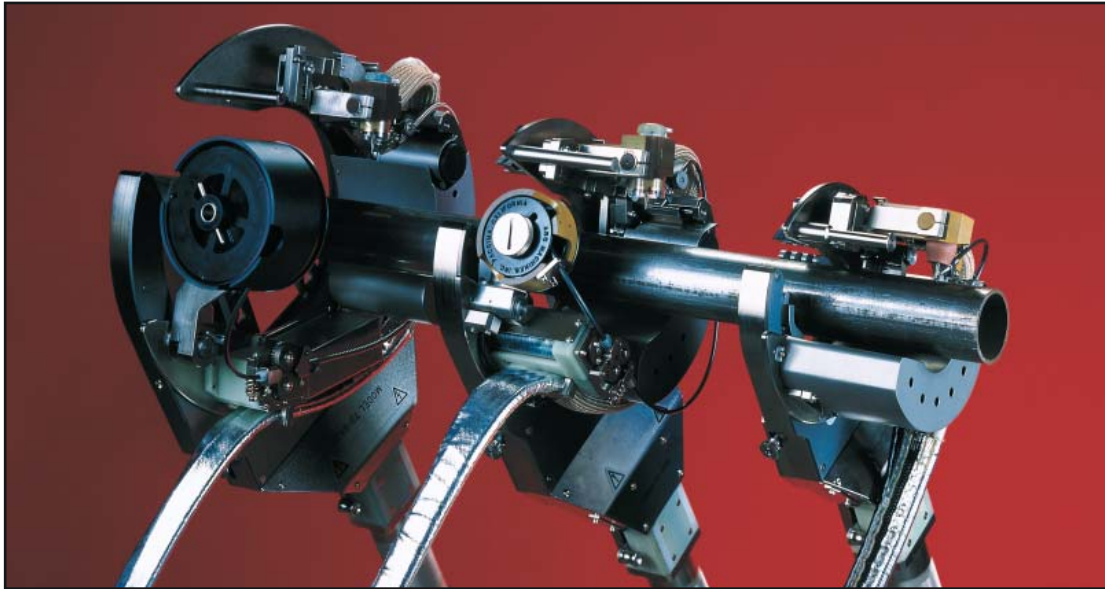
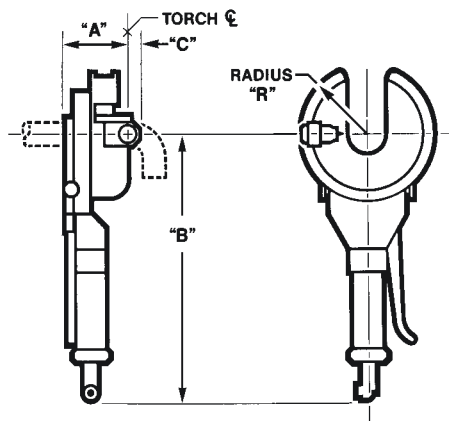


## MODEL 79 FULL-FUNCTION WELD HEADS



The Arc Machines' Model 79 series weld heads are economical, easy to use, sturdy weld heads designed for precision orbital welding with or without filler wire of tube, pipe, and fittings. Each weld head features: Arc Voltage Control (AVC) for precise arc gap control, programmable oscillation (weaving) and a precision wire feeder and wire entry mechanics. All Model 79 weld heads operate using the GTAW (TIG) process and will accommodate a range of pipe sizes from 0.75" O.D. to 6.625" O.D. (19 to 170mm) and wall thicknesses up to 0.75" (19mm).

The Model 79 series is compatible with a variety of joint designs such as 'J' prep and square butt, and will weld materials ranging from stainless or carbon steels to exotic alloys such as Hastelloy™, Inconel™, and Monel™, as well as all other TIG weldable materials. The Model 79's use the same "self centering" clamping mechanism and drive housing as the Model 95 series and mount on any pipe or tube diameter within its range with only a simple adjustment to the clamp. Precision-machined clamping jaws always hold the weld head concentric to the pipe, within  $\pm 0.010"$ . Model 79 weld heads are ideal for pipe shop applications as well as for in-place on-site use in a variety of industrial piping environments. The Model 79 series is compatible with AMI Model 215, 227 or 415 power supplies.



Weld Head Model #	Tube / Pipe O.D. Range	Dimensions			
		A	B	C	R
79-2375	0.75" - 2.375" 19mm - 61mm	4.50" * 114mm	16.25" 413mm	0.63" 16mm	3.43" 87mm
79-3500	1.00" - 3.50" 25mm - 90mm	4.50" * 114mm	19.25" 490mm	0.63" 16mm	4.25" 108mm
79-4500	1.90" - 4.50" 48mm - 114mm	4.50" * 114mm	19.25" 490mm	0.63" 16mm	5.25" 133mm
79-6625	2.00" - 6.625" 50mm - 170mm	4.50" * 114mm	19.25" 490mm	0.63" 16mm	6.31" 160mm

\* with cross-seam "in" all the way

Specification subject to change without notice.

## MODEL 79 FULL-FUNCTION WELD HEADS



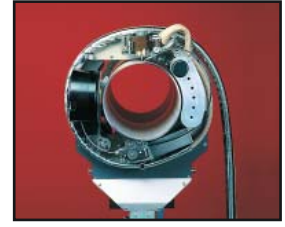
**MODEL 79-2375**



**MODEL 79-3500**



**MODEL 79-4500**



**MODEL 79-6625**

<b>Tube/Pipe O.D.</b>	0.75" - 2.375" 19mm - 61 mm	1.00" - 3.50" 25mm - 90mm	1.90" - 4.50" 48mm - 114mm	2.00" - 6.625" 50mm - 170mm
<b>Torch: (water-cooled)</b>	200 amp continuous duty cycle	200 amp continuous duty cycle	200 amp continuous duty cycle	200 amp continuous duty cycle
<b>Rotation Speed:</b>	0.1 - 5.0 RPM	0.05 - 2.0 RPM	0.05 - 2.0 RPM	0.05 - 2.0 RPM
<b>Wall Thickness:</b>	up to 0.44"	up to 0.44"	up to 0.675"	up to 0.75"
<b>Torch Adjustments: lead / lag cross-seam tilt in / tilt out</b>	± 5° ± 0.25" 15° / 45°	± 10° ± 0.375" 15° / 45°	± 10° ± 0.375" 15° / 45°	± 10° ± 0.375" 15° / 45°
<b>Wire Feeder:</b>	Integral, cable-mounted 5 - 100 IPM	On-board 5 - 100 IPM	On board 5 - 100 IPM	On board 5 - 100 IPM
<b>Wire Spool Size:</b>	2 lb., (4") standard spool	Low-profile standard 2 lb., (4") optional spool	2 lb., (4") standard spool	2 lb., (4") standard spool
<b>Filler Wire Size:</b>	0.030" or 0.035"	0.030" or 0.035"	0.030" or 0.035"	0.030" or 0.035"
<b>Weight: (less cables)</b>	11 lbs.	14 lbs.	16 lbs.	22 lbs.

**ARC MACHINES, INC.**

AMI is an ISO Certified Company

**www.arcmachines.com**

**HEADQUARTERS** • Arc Machines, Inc. • 10500 Orbital Way, Pacoima, CA 91331 U.S.A. • Tel: 1-818-896-9556 • Fax: 1-818-890-3724

**EUROPEAN OFFICE** • Arc Machines, Inc. • Chemin du Lavasson 2, CH-1196 Gland, Switzerland • Tel: +41 / 22 / 995.00.51 • Fax: +41 / 22 / 995.00.59

**GERMAN OFFICE** • Arc Machines GmbH • Markelsbach 2 • D-53804 Much, Germany • Tel: 02245 / 91680 • Fax: 02245 / 916868

**UK OFFICE** • Arc Machines UK Limited • Unit 4, Raynesway Park Drive, Derby, UK, DE21 7BH • Tel: 01332 / 574000 • Fax: 01332 / 757757

sales@arcmachines.com